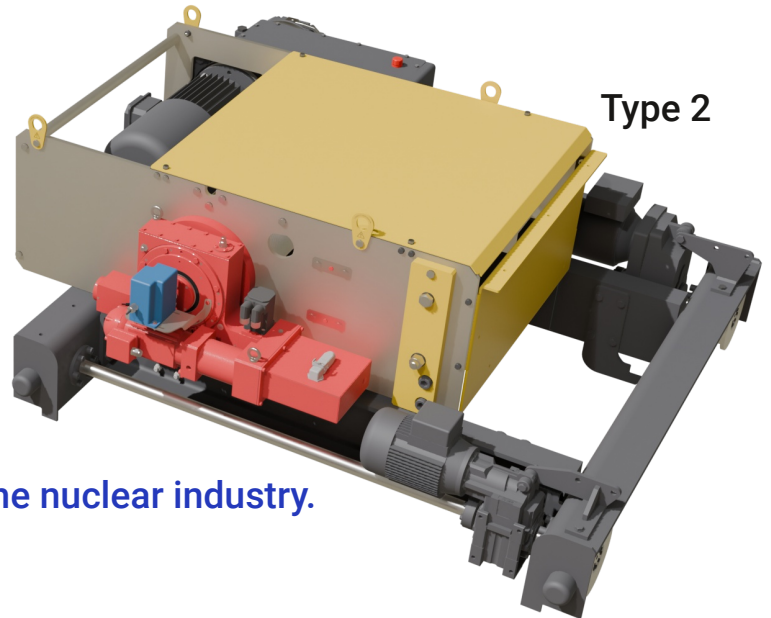
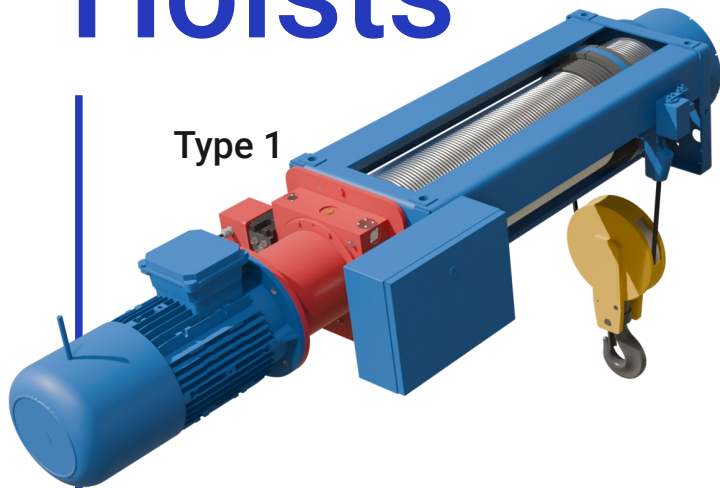


# MotoSuiveur® Safety Hoists

**SIGUREN**  
failsafe movement 



Two hoist types designed for use in the nuclear industry.

"Custom Off-The-Shelf".

Commercially available.

## Nuclear safety first

Mechanically and electrically independent load arrest

Passive operation, no reliance on other systems

Protects against drop, snatch and ledge loads and double blocking

Protects against brake, gearbox, motor and control system failures

Quick and cushioned arrest without falling

Simplifies control and eliminates costly SIL safety circuits

## Flexibility

Wide range of loads, 500 kg to 80 t

Commercial-off the shelf reliability, maintainability and availability

Lighter and more compact

Full crane system or trolley upgrade

## Applications

Designed for nuclear lifting operations

SMR, AMR & conventional NPP ready

NPP decommissioning & nuclear waste storage

Defense & Space

## Recovery versatility

Includes various load recovery methods to cover all emergency situations

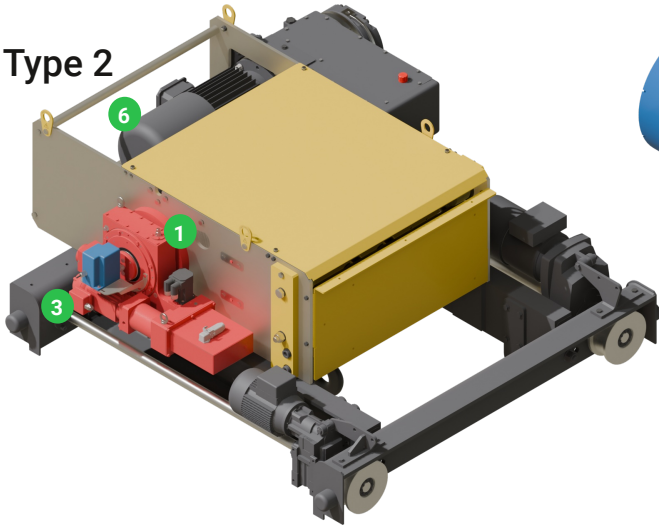
## Rapid deployment

26 weeks, order to install

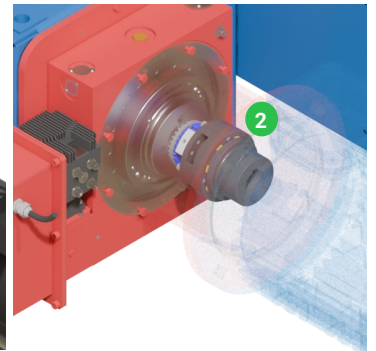
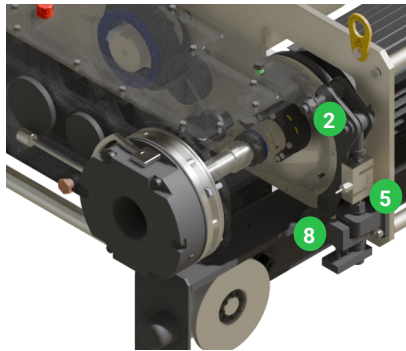
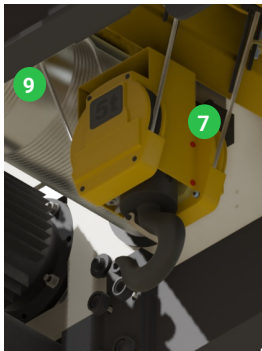
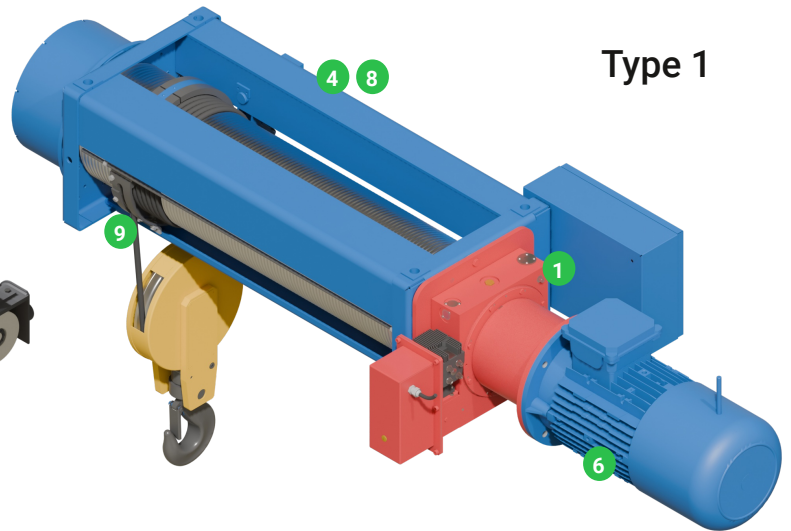
Full substantiation pack

Safer than others, for only a fraction of the price and time

Type 2



Type 1



Feature			Achieved by
<b>Overload</b>	Passive, Inherent safety		Torque Limiter <b>2</b>
<b>MotoSuiveur® Load Arrest</b>	Passive, Inherent load safety		MotoSuiveur® <b>1</b>
<b>Overspeed</b>	Passive	Standard	MotoSuiveur® <b>1</b>
<b>Overload detection</b>	Load switch	Standard	Springs <b>8</b>
<b>Overload detection</b>	Load cell	Option	Load cell <b>4</b>
<b>Torque monitoring</b>	On gearbox	Option	Load cell <b>5</b>
<b>Two-blocking mitigation</b>	Passive	Standard	Torque Limiter <b>2</b>
<b>Load recovery</b>	Manual following	Standard	MotoSuiveur® <b>1</b>
	Gravity assisted	Standard	MotoSuiveur® <b>1</b>
	Integrated recovery gear	Option	MotoSuiveur® With integrated recovery <b>3</b>
	Recovery gear	Option	MotoSuiveur® <b>1</b>
<b>Snatch load mitigation</b>	Passive, Inherent safety		Torque Limiter <b>2</b>
	Active	Option	Smart hoist motor <b>6</b>
<b>Radiation tolerance</b>		Standard	No electronics
<b>Manufacturing traceability</b>		Standard	
<b>True vertical lift</b>		Option	
<b>Redundant reeving</b>		Option	Second rope (dormant) <b>9</b>
<b>Seismic mitigation</b>		Option	Torque Limiter & MotoSuiveur® <b>1 2</b>
<b>Motorized hook</b>		Option	<b>7</b>
<b>Remote operation</b>		Option	