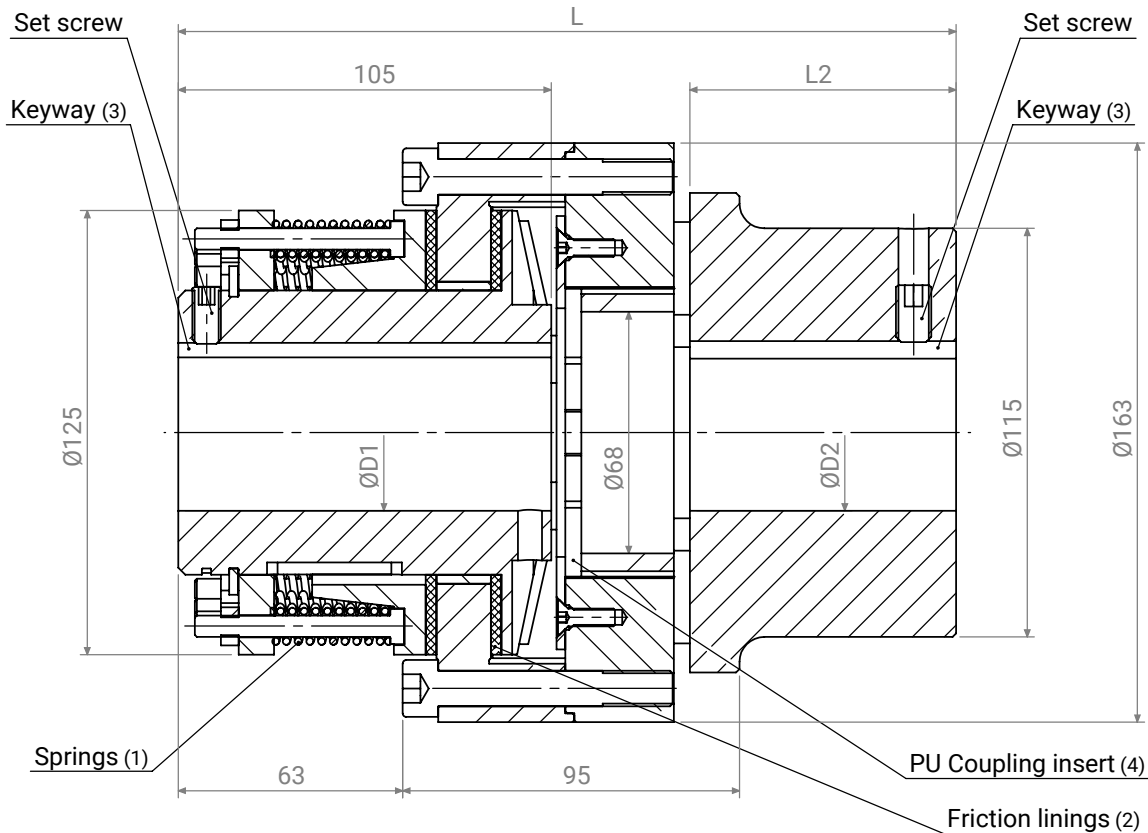


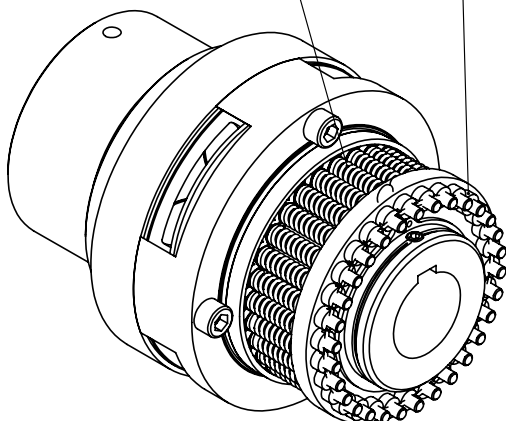
size	TL125
torque transmission	keyway
proof-load functionality	yes



Recommended Slipping torque setting
110% of SWL torque

Proof-load functionality
by temporarily activating
additional springs

Tamper resistant: changing
slipping torque settings
requires a special tool.



Max. slipping torque setting (1) including Proof-load functionality	Nm	750
Max. speed	rpm	4,250
Weight	kg	15.0
Total inertia	kg.m ²	4.40E-02

Dimensions

Max. Length (L) x External Diameter = 219 x 163 mm		
L2 min-Max	mm	37.5 - 75
D1 min-Max	mm	22 - 70
D2 min-Max	mm	18 - 70

- (1) Adjustment of slipping torque setting according to the number of active springs – not through modification of spring pressure.
- (2) Because of the MS torque limiter's linear, flat-angle characteristic of the pressure force, practically no reduction of the slipping torque occurs even when friction linings are subjected to wear.
- (3) Keyways as per DIN 6885, page 1. Tolerance of keyway width P9. Further sizes and shafts available on request.
- (4) Polyurethane (PU) coupling insert with Shore hardness 92°A.