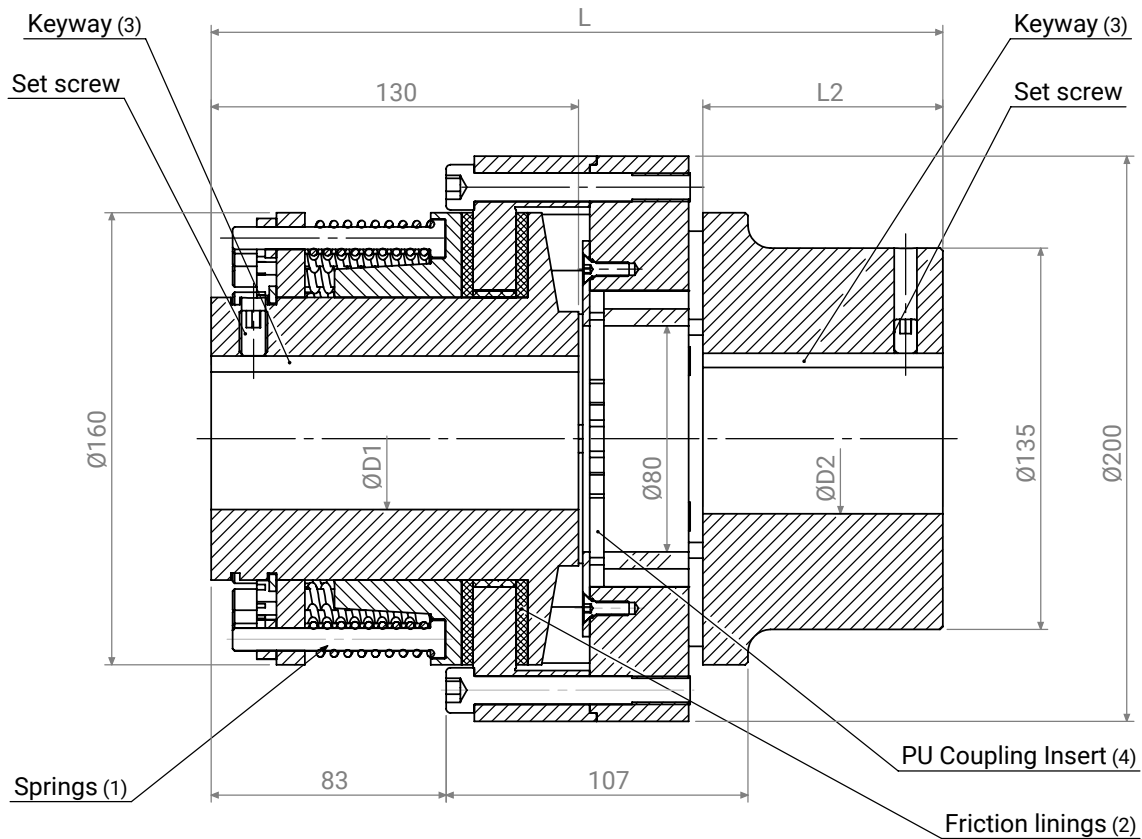


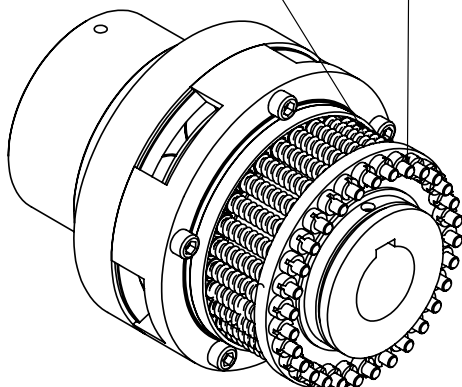
size	TL160
torque transmission	keyway
proof-load functionality	yes



Recommended Slipping torque setting
110% of SWL torque

Proof-load functionality
by temporarily activating
additional springs

Tamper resistant: changing
slipping torque settings
requires a special tool.



Max. slipping torque setting (1) including Proof-load functionality	Nm	1,500
Max. speed	rpm	3,350
Weight	kg	28
Total inertia	kg.m ²	1.12E-01
Dimensions		
Max. Length (L) x External Diameter = 259 x 200 mm		
L2 min-Max	mm	42.5 - 85
D1 min-Max	mm	40 - 85
D2 min-Max	mm	25 - 80

(1) Adjustment of slipping torque setting according to the number of active springs – not through modification of spring pressure.

(2) Because of the MS torque limiter's linear, flat-angle characteristic of the pressure force, practically no reduction of the slipping torque occurs even when friction linings are subjected to wear.

(3) Keyways as per DIN 6885, page 1. Tolerance of keyway width P9. Further sizes and shafts available on request.

(4) Polyurethane (PU) coupling insert with Shore hardness 92°A.