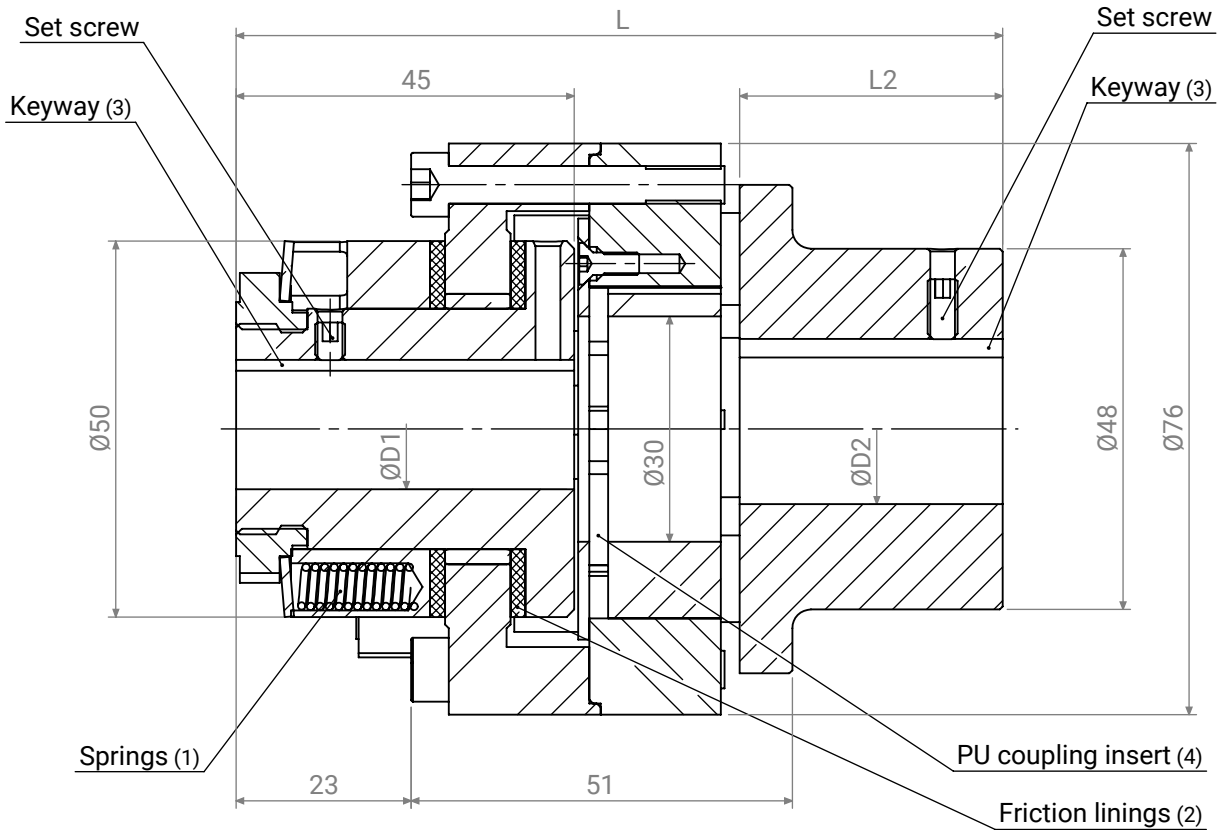


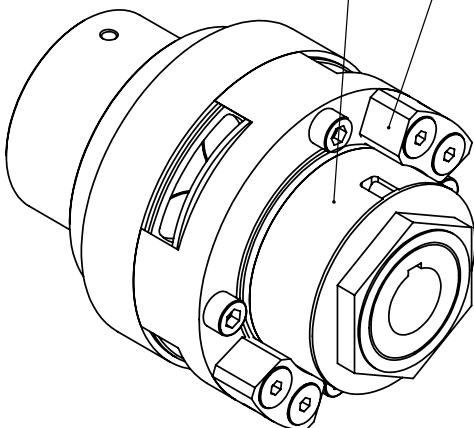
size	TL50
torque transmission	keyway
proof-load functionality	yes



Recommended Slipping torque setting
110% of SWL torque

Proof-load functionality
(option)

Tamper resistant: No slipping
torque setting change
possible without disassembly



Max. slipping torque setting (1)	Nm	50
+ Proof-load functionality	Nm	10
Max. speed	rpm	8,500
Weight	kg	1.48
Total inertia	kg.m ²	9.40E-04

Dimensions

Max. Length (L) x External Diameter = 102.5 x 76 mm		
L2 min-Max	mm	17.5 - 35
D1 min-Max	mm	9 - 22
D2 min-Max	mm	9 - 28

(1) Adjustment of slipping torque setting according to the number of active springs – not through modification of spring pressure.

(2) Because of the MS torque limiter's linear, flat-angle characteristic of the pressure force, practically no reduction of the slipping torque occurs even when friction linings are subjected to wear.

(3) Keyways as per DIN 6885, page 1. Tolerance of keyway width P9. Further sizes and shafts available on request.

(4) Polyurethane (PU) coupling insert with Shore hardness 92°A.