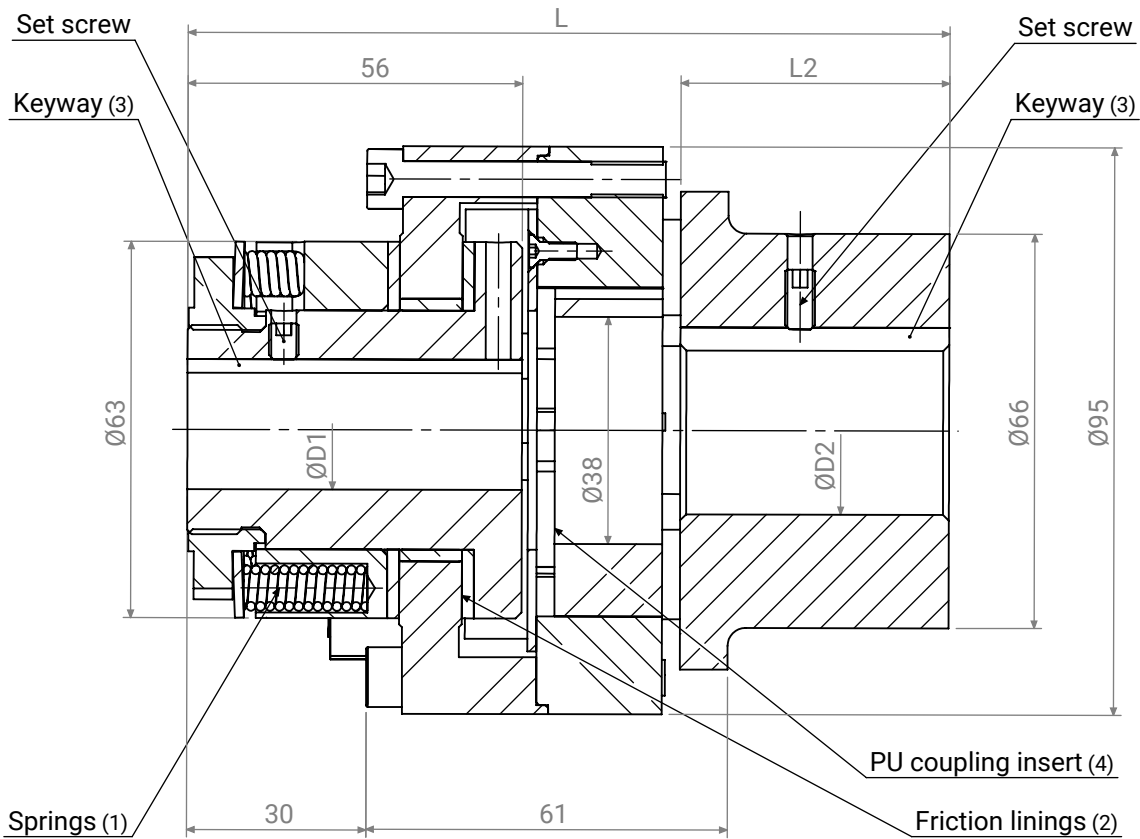
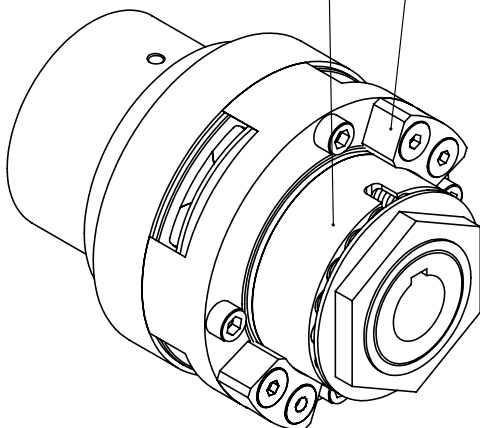


size	TL63
torque transmission	keyway
proof-load functionality	yes



Recommended Slipping torque setting
110% of SWL torque

Proof-load functionality (option)
Tamper resistant: No slipping torque setting change possible without disassembly



Max. slipping torque setting (1)	Nm	100
+ Proof-load functionality	Nm	20
Max. speed	rpm	7,100
Weight	kg	3.10
Total inertia	kg.m ²	2.97E-03

Dimensions

Max. Length (L) x External Diameter = 127.5 x 95 mm		
L2 min-Max	mm	22.5 - 45
D1 min-Max	mm	9 - 28
D2 min-Max	mm	13 - 38

- (1) Adjustment of slipping torque setting according to the number of active springs – not through modification of spring pressure.
- (2) Because of the MS torque limiter's linear, flat-angle characteristic of the pressure force, practically no reduction of the slipping torque occurs even when friction linings are subjected to wear.
- (3) Keyways as per DIN 6885, page 1. Tolerance of keyway width P9. Further sizes and shafts available on request.
- (4) Polyurethane (PU) coupling insert with Shore hardness 92°A.