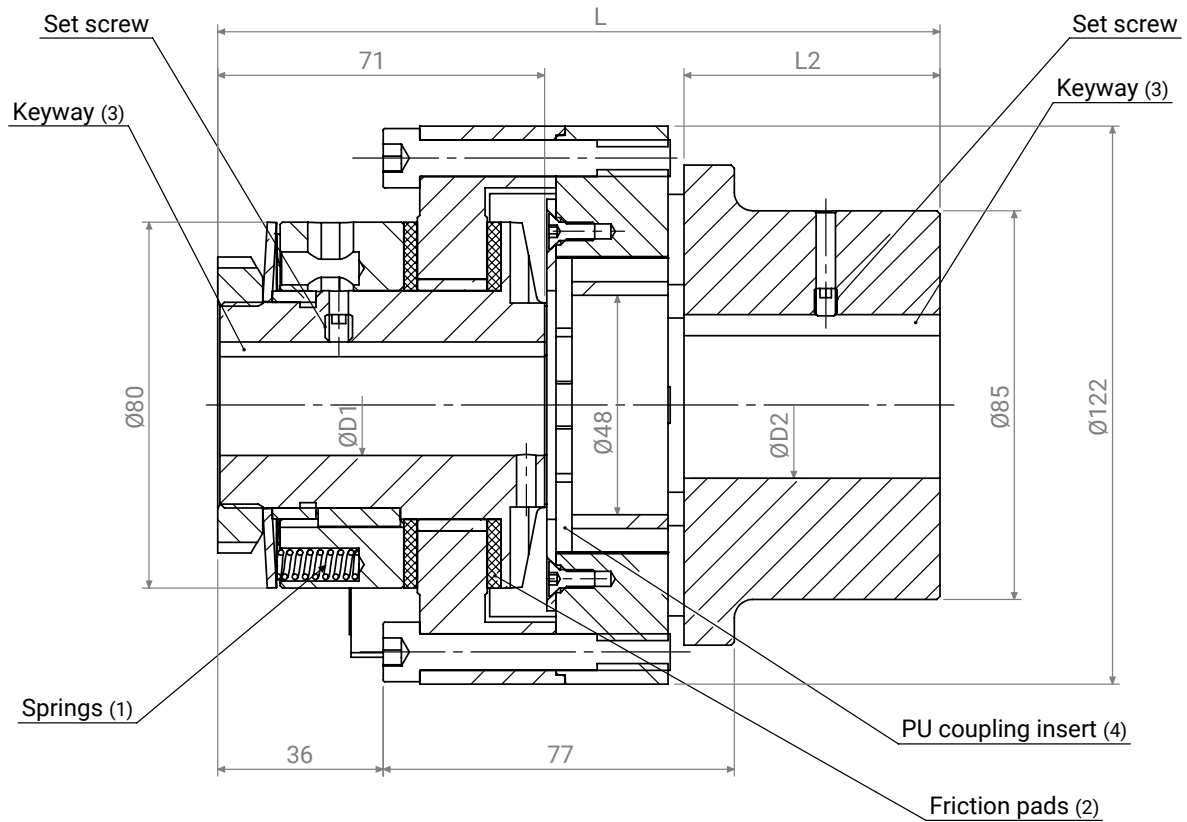
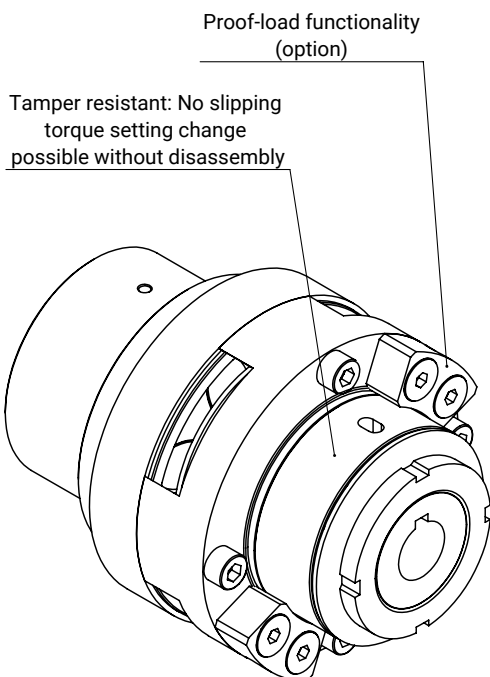


size	TL80
torque transmission	keyway
proof-load functionality	yes



Recommended Slipping torque setting
110% of SWL torque



Max. slipping torque setting (1)	Nm	200
+ Proof-load functionality	Nm	40
Max. speed	rpm	5,600
Weight	kg	5.90
Total inertia	kg.m ²	1.00E-02

Dimensions

Max. Length (L) x External Diameter = 158 x 122 mm		
L2 min-Max	mm	28 - 56
D1 min-Max	mm	15 - 38
D2 min-Max	mm	16 - 48

(1) Adjustment of slipping torque setting according to the number of active springs – not through modification of spring pressure.

(2) Because of the MS torque limiter's linear, flat-angle characteristic of the pressure force, practically no reduction of the slipping torque occurs even when friction linings are subjected to wear.

(3) Keyways as per DIN 6885, page 1. Tolerance of keyway width P9. Further sizes and shafts available on request.

(4) Polyurethane (PU) coupling insert with Shore hardness 92°A.