

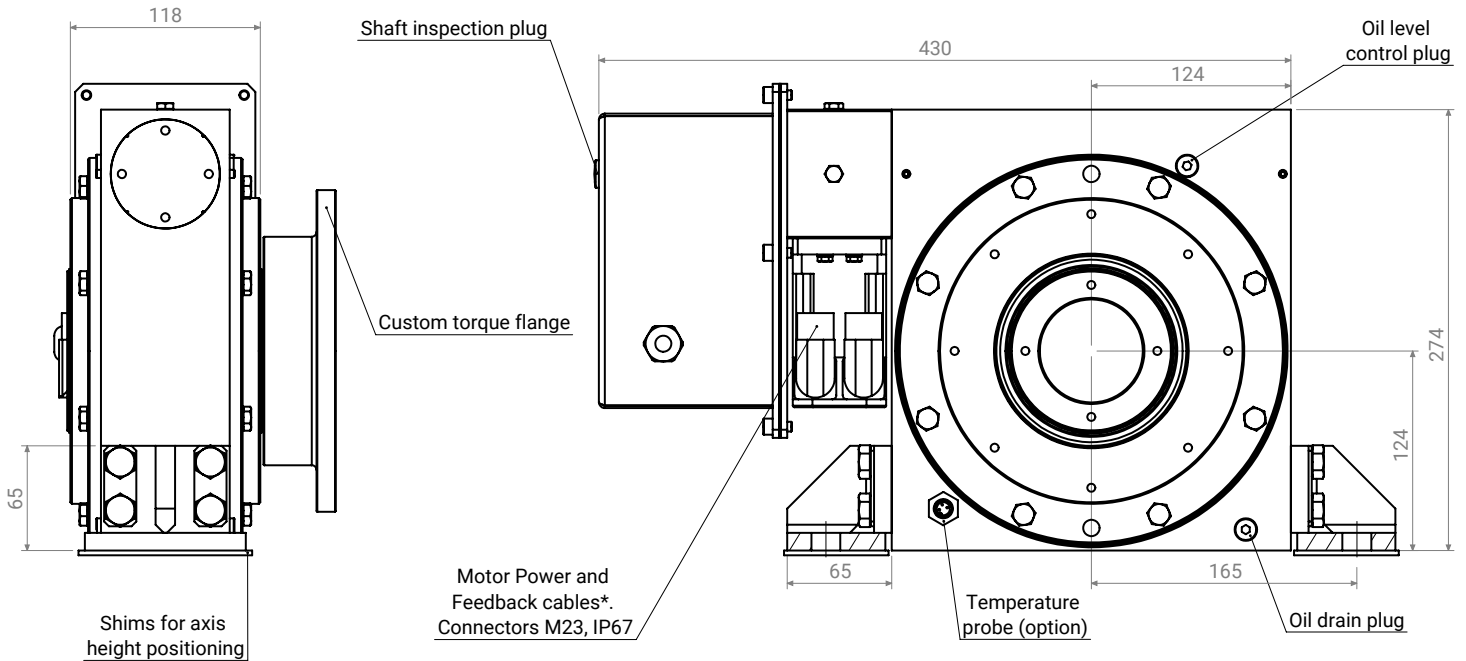
motosuiveur UNIT
MS1LFFC2F1

Model

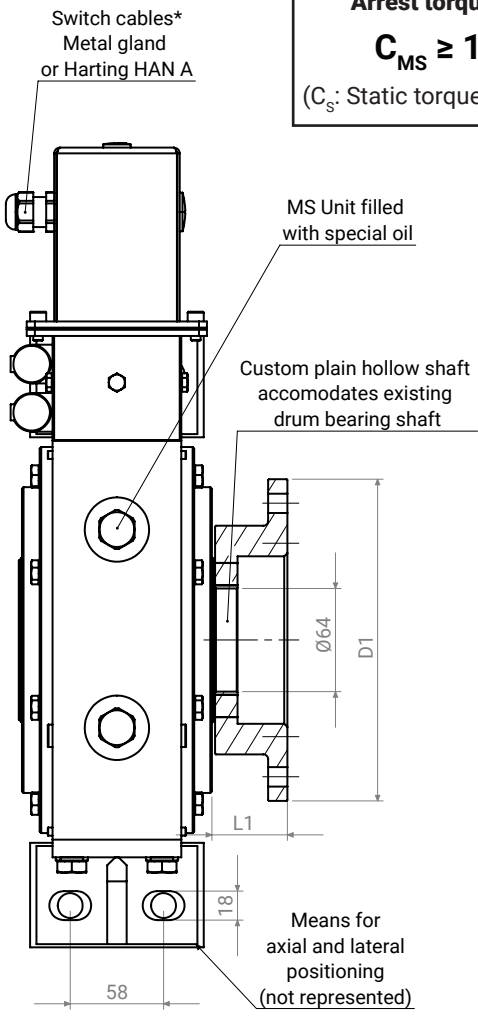
Rev. 09022022

Configuration

size	1
type	Passive friction (F)
mounting type	Foot mounted bearing (F)
lowering rot. dir.	Clockwise (C)
reaction pos.	(2)
driving	Torque flange (F)
motor pos.	(1)
load recovery	x
recovery pos.	x



Arrest torque calculation
 $C_{MS} \geq 1.4 \times C_S$
 (C_S : Static torque at the hoist drum)



Max. arrest torque** (C_{MS})	Nm	6,100
Max. drum speed	rpm	72
Worm / worm wheel ratio		45
IP rating		IP65
Operational ambient temp. limit		-10°C
Servomotor power supply options		400VAC, three phases 230VAC, single phase 48VDC

Dimensions
L x W x H = 430 x 118 x 274 mm

Max. weight (this configuration)	kg	55
Oil volume	L	0.7
Control cabinet dimensions	mm	400 x 400 x 200

Torque flange

D1	mm	Custom
L1	mm	Custom

Drum bearing

Vertical capacity (up&down)	N	54,000
Horiz. lateral capacity	N	27,000
Horiz. axial capacity (locating)	N	10,800
Angular accomodation	°	±3

Mounting studs

Quantity		4
Size		M14

* All cables go to MotoSuiveur control cabinet
 ** for required C_{MS} lower than 2,400 Nm, consider MS0F Unit models.