

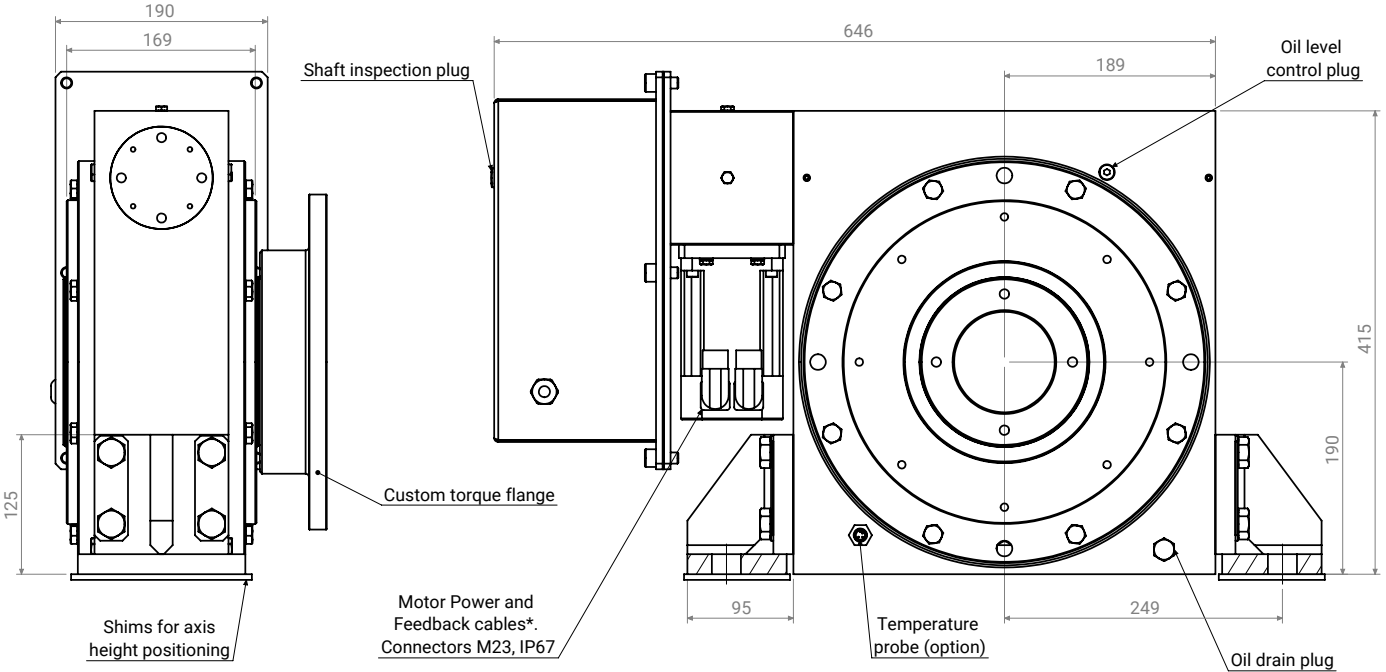
motosuiveur UNIT
MS3LFFC2F1

Model

Rev. 09022022

Configuration

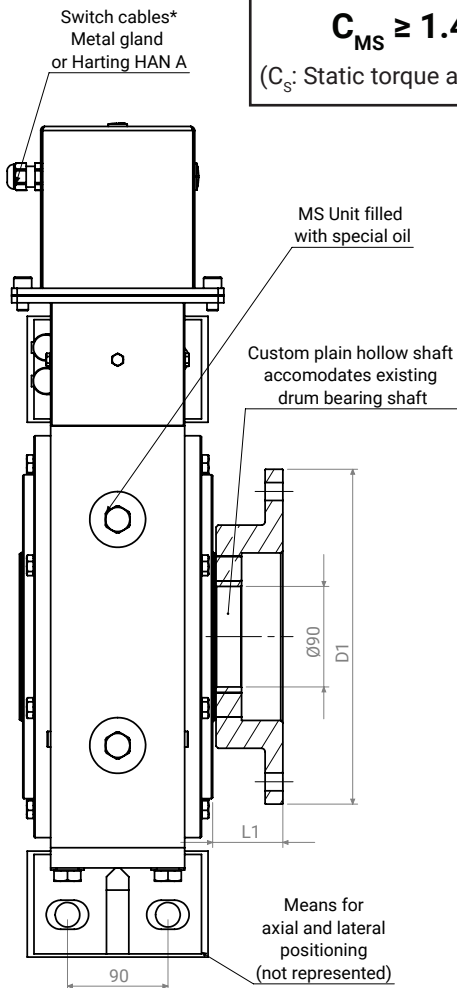
| | |
|--------------------|--------------------------|
| size | 3 |
| type | Passive friction (F) |
| mounting type | Foot mounted bearing (F) |
| lowering rot. dir. | Clockwise (C) |
| reaction pos. | (2) |
| driving | Torque flange (F) |
| motor pos. | (1) |
| load recovery | x |
| recovery pos. | x |



Arrest torque calculation

$$C_{MS} \geq 1.4 \times C_S$$

(C_S : Static torque at the hoist drum)



| | | |
|-----------------------------------|-----|--|
| Max. arrest torque** (C_{MS}) | Nm | 23,000 |
| Max. drum speed | rpm | 60 |
| Worm / worm wheel ratio | | 45 |
| IP rating | | IP65 |
| Operational ambient temp. limit | | -10°C |
| Servomotor power supply options | | 400VAC, three phases 230VAC, single phase 48VDC |

Dimensions

L x W x H = 646 x 190 x 415 mm

| | | |
|----------------------------------|----|------------------------|
| Max. weight (this configuration) | kg | 185 |
| Oil volume | L | 2.3 |
| Control cabinet dimensions | mm | 400 x 400 x 200 |

Torque flange

| | | |
|----|----|---------------|
| D1 | mm | Custom |
| L1 | mm | Custom |

Drum bearing

| | | |
|----------------------------------|---|----------------|
| Vertical capacity (up&down) | N | 124,000 |
| Horiz. lateral capacity | N | 62,000 |
| Horiz. axial capacity (locating) | N | 24,800 |
| Angular accomodation | ° | ±3 |

Mounting studs

| | | |
|----------|--|------------|
| Quantity | | 4 |
| Size | | M20 |

* All cables go to MotoSuiueur control cabinet
** for required C_{MS} lower than 12,600 Nm, consider MS2F Unit models.